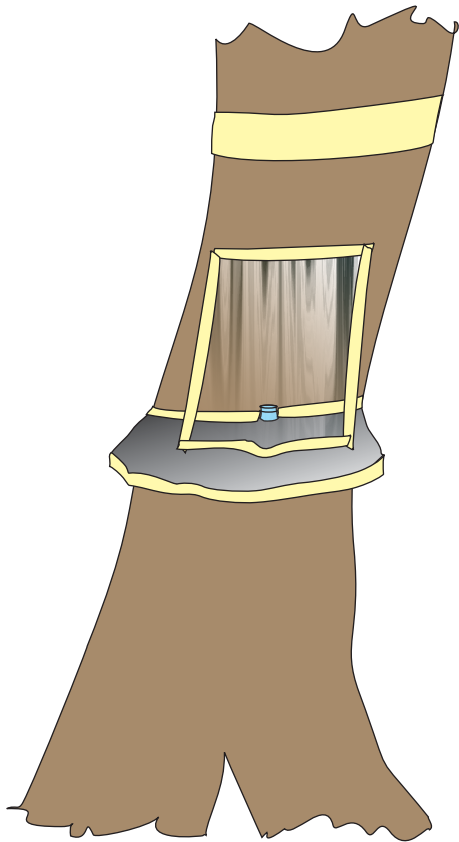


Spotted Lantern Fly Nymph Trap



This trap works on the principle of letting the nymphs stay in contact with the tree bark for mature trees while they make their ascent up the trunk of the tree.

My experience with traps that use a bag to collect the nymphs has been less than satisfactory simply because the bags are typically small and the nymphs either refuse to go into the trap bag or after a while they find their way back out.

The basis for using aluminum foil for the trap was Rachel Bergey's idea. I simply took the concept and added a few tweaks of my own.

The trap is simple enough. The foil skirt stops the nymphs ascending the tree for the most part. It directs them to a single "hole" through which they can continue to climb.

The hole leads into a sealed chamber that is covered with a single layer of thin polythene taped all around. The nymphs continue to climb away from the "hole" and tend to stay trapped near the top of the polythene.

The "hole" is designed so that the rim does not touch the tree and the nymphs "feel" across the gap to the tree bark. Coming back down as they do, they have no direct access to the "hole" unless they climb back up the side of the vent and that tricks them into resuming their climb up the tree

There are two additional obstacles that prevent the nymphs climbing the tree.

Firstly, as the nymphs will climb along the underside of the foil skirt there is a tape barrier facing with the sticky side inwards that they encounter at the edge of the foil. This either deters them or traps them.

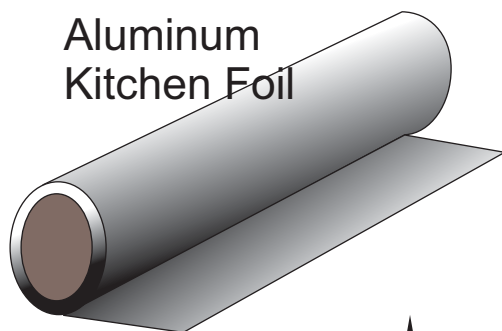
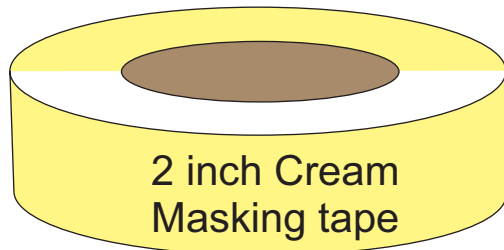
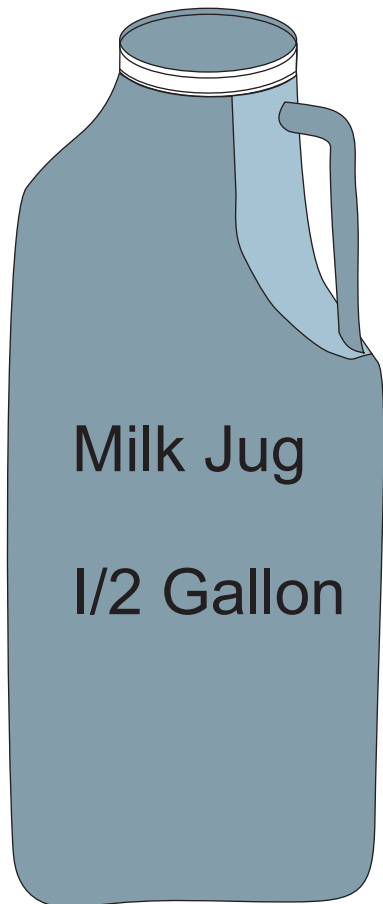
Secondly If one should make it past the tape and up the outside of the trap, there is a larger broader band of tape that acts as a final barrier to ascent.

As of this writing I used two of these on two black walnut trees in my yard and within a couple of hours each one had captured a couple of hundred nymphs.

Killing the nymphs is up to the user as to how they think they should achieve this.

Good luck with your trap building, I hope that you find this helpful.

What you will need



Step 1 - How much foil do we need?

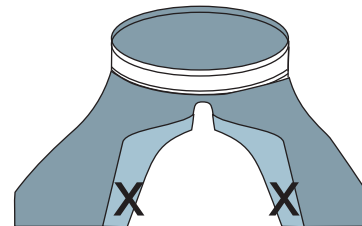
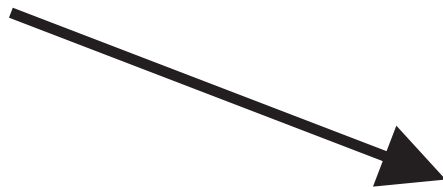
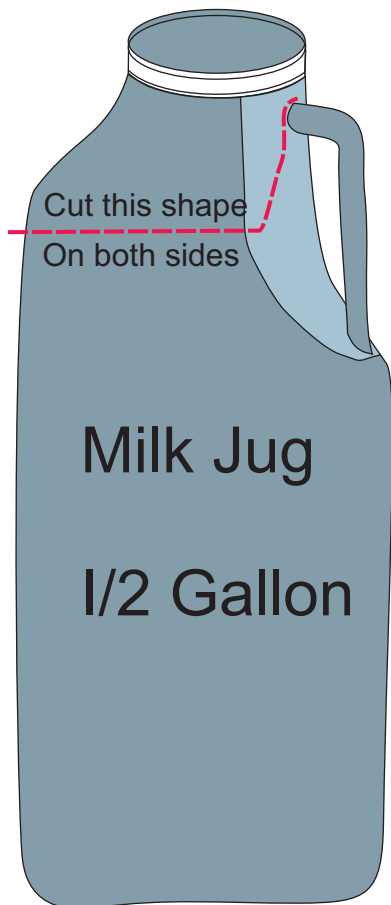
a) Measure around your tree.

b) Add 12-13 inches - we need at least a two inch gap between the base of the skirt and the tree trunk. If the tree has deep channels in the bark add a little more since we need to press the foil and tape into those channels.

c) On a long flat surface fold up half an inch of the foil along one long side. Then fold the same side again twice more for a thicker stabilizing edge.

Step 2 - Make the "hole" for the trap

Cut off the top of the milk jug to make the "hole" you will need to let the nymphs pass through



Push pins go
through the "x"

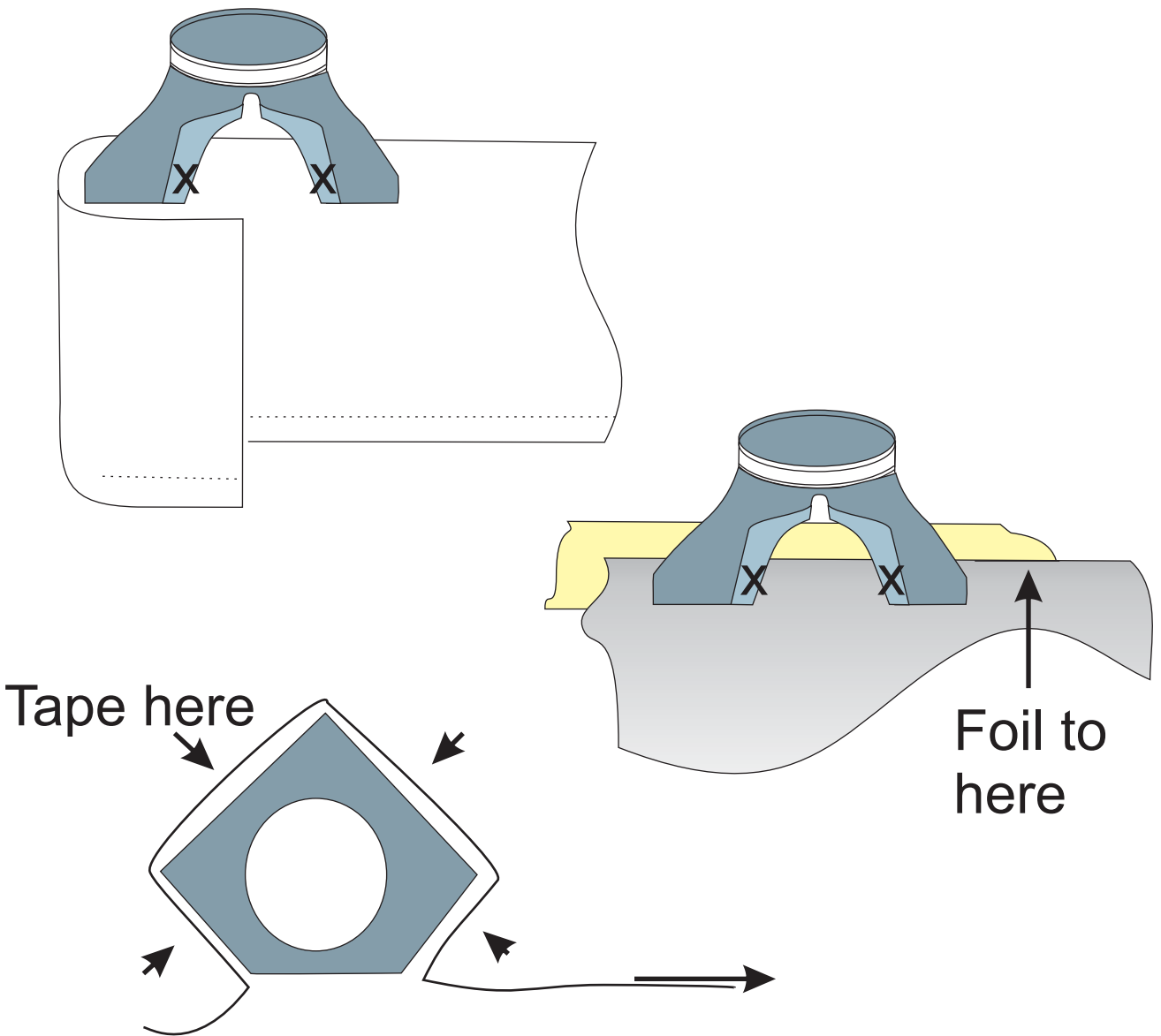
See later...

Step 3

Attach the foil to the milk jug top you just cut out in step 2

Start by positioning the top at the long edge of the foil on the unfolded long edge so that one of the vertical (short) edges wraps around to the center of the cut out

Tape the four uncut sides of the milk top to the foil from the outside



Step 4 - Cut out your polythene

Lay out the polythene from your dry cleaning bag onto a flat surface

Using a utility knife gently cut a rectangle approximately 18 inches high and depending upon the length of your foil between 1/4 and 1/3 of the length of the foil.

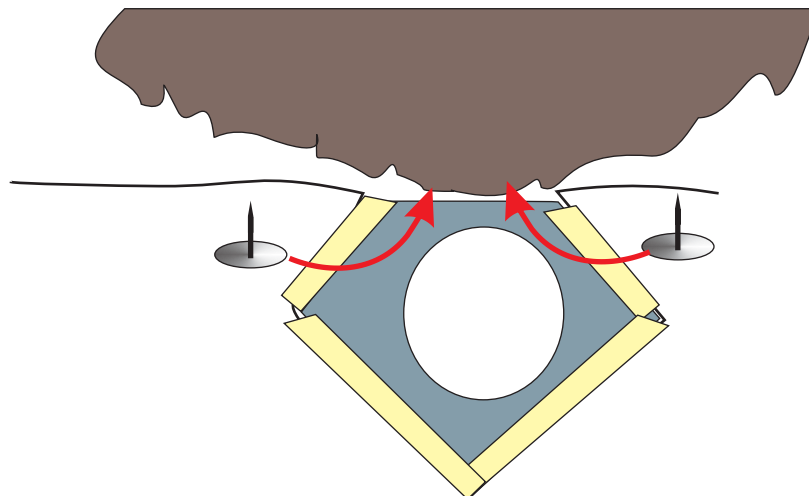
Now carefully roll up your foil around the jug top and take it, your tape your pins and your polythene film to your tree

Step 5 - Securing the jug top to the tree

Unfurl the foil and select a spot that will give you enough height to tape your polythene and a secondary tape band above the polythene

Place the jug top against the tree - using the piece that has no foil attached

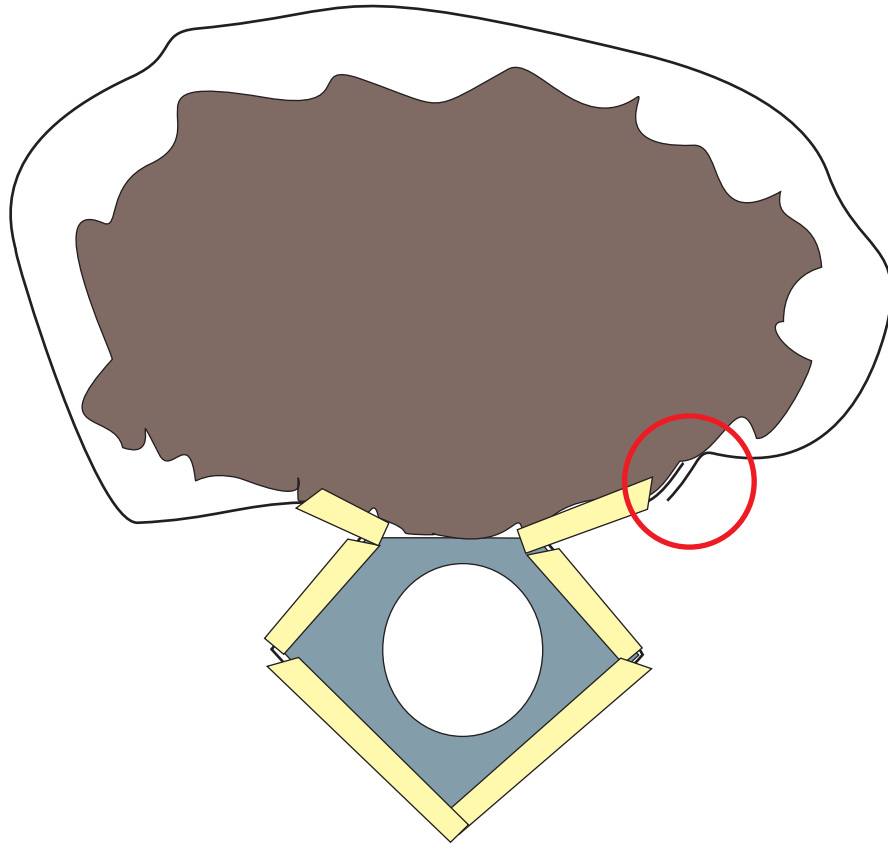
Reach under the foil and push the pins through the plastic to hold the jug top firmly to the tree.,



Step 6 - Beginning the foil skirt

Firmly tape about 2 inches of the foil to the tree on either side of the neck of the jug. Make sure there are no gaps.

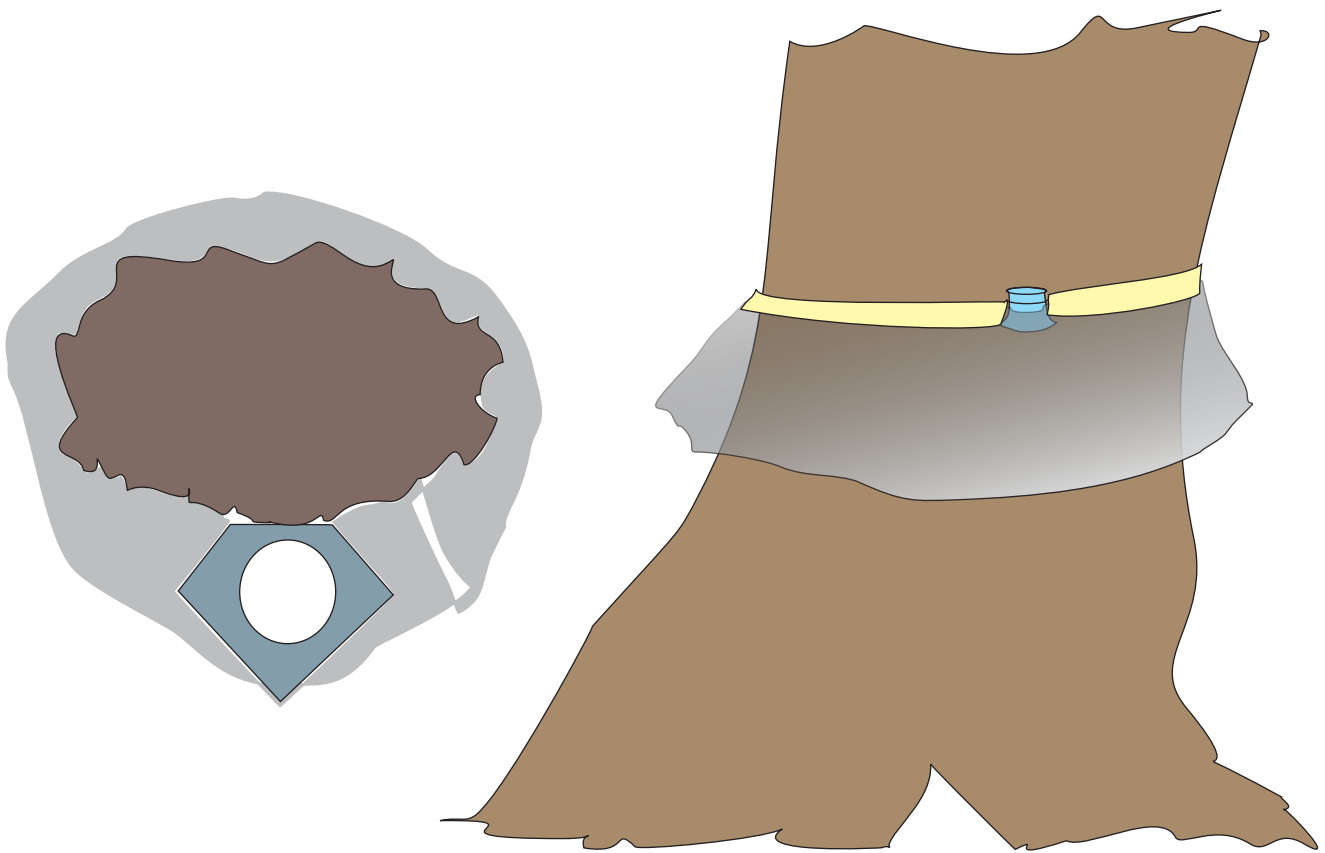
Now walk around (or reach around) the tree and overlap and then tape the ends of the foil such that the foil makes a loose circle around the tree. It should be quite a bit bigger than the tree at this point.



Step 7 - Forming the foil skirt

Make loose gathers in the top of the foil being careful not to cause the bottom to gather. Tape the gather to the tree. Continue around the tree so that the top of the foil is taped like the waist of a skirt and the bottom is flared out and not touching the tree at all (it should be at least 2 inches away from the tree all around).

Press the foil into the grooves in the bark as you make the gathers and seal the foil to the tree. Ensure there are no gaps under the tape and no untaped edge of foil.

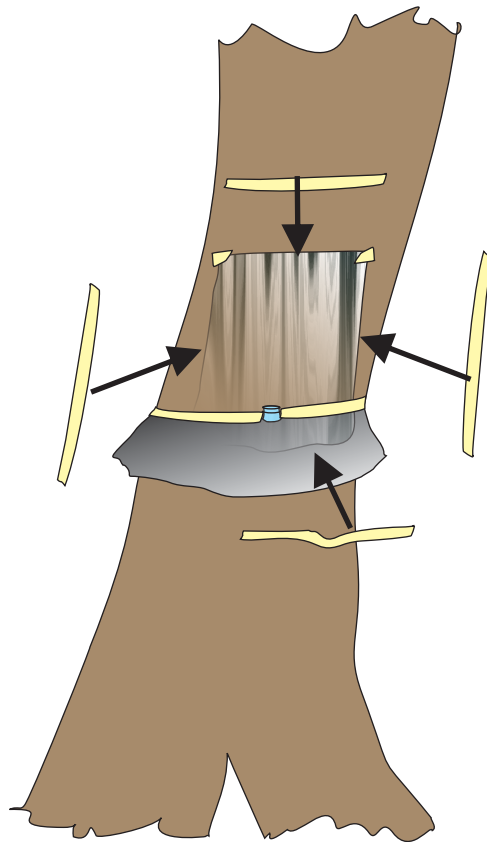


Step 8 - Adding the Polythene

Attach two pieces of tape to the top corners of the polythene. Place the polythene such that it touches the foil at least half way down to create a pocket.

When positioned press the tape to the bark and secure the polythene.

Now take the tape and seal all four edges on the bark and on the foil. Don't stretch the polythene it needs to be relaxed so that the nymphs can climb easily.

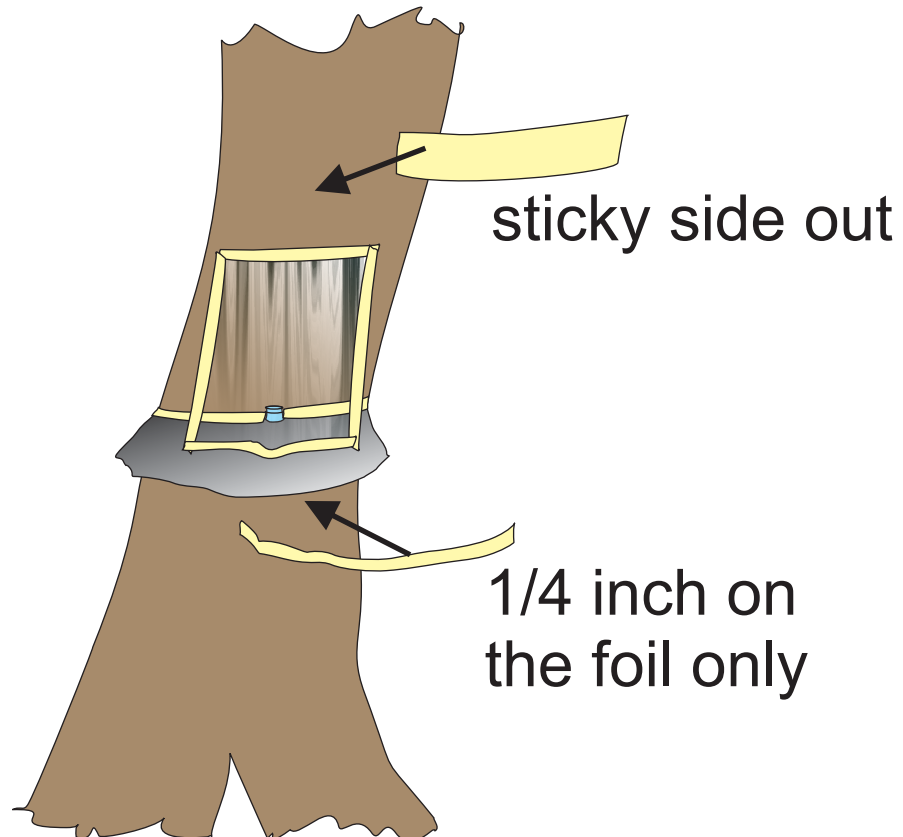


CONGRATULATIONS

Your basic trap is now complete.

Step 9 - Finishing touches

The skirt edge and the double width band above the trap



Caution:

When adding the band to the skirt be careful not to pull on the tape as it will result in the skirt being too close to the tree trunk.

Tip:

When making the double width band first roll the beginning of the tape back on itself to make a piece effectively double sided. Press that onto the tree with the tape glue exposed and roll (unwind) the tape around the tree twice so that it sticks to itself.

If there are large gaps because the bark is rough put another line of tape sticky side down to seal the upper edge against the bark.